

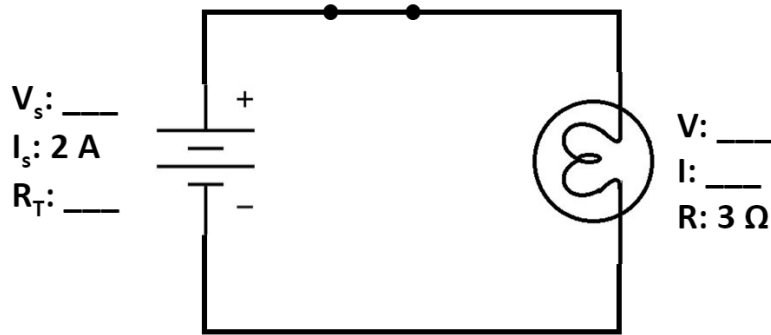
Name: \_\_\_\_\_

Period: \_\_\_\_\_

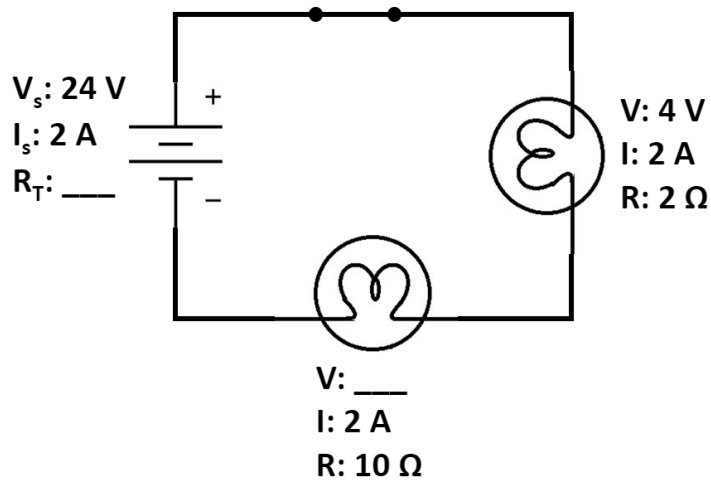
Date: \_\_\_\_\_

### Series Circuits Puzzles

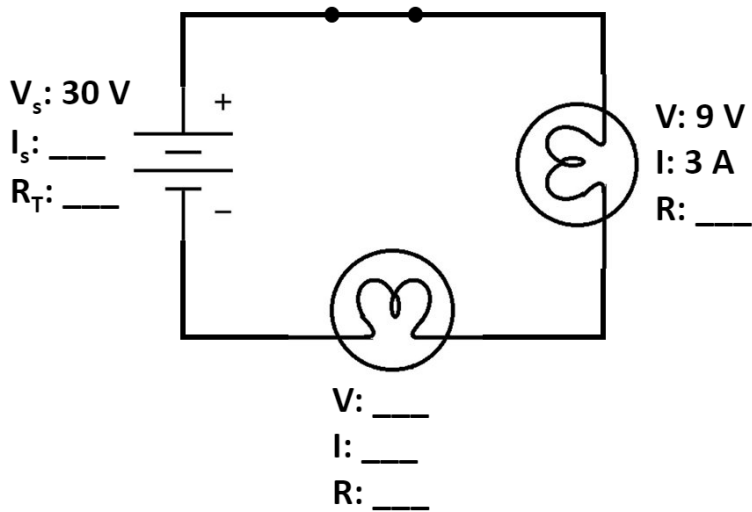
1)



2)



3)

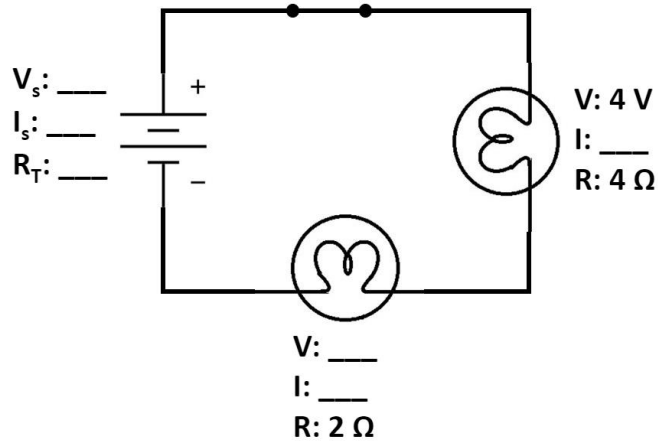


Name: \_\_\_\_\_

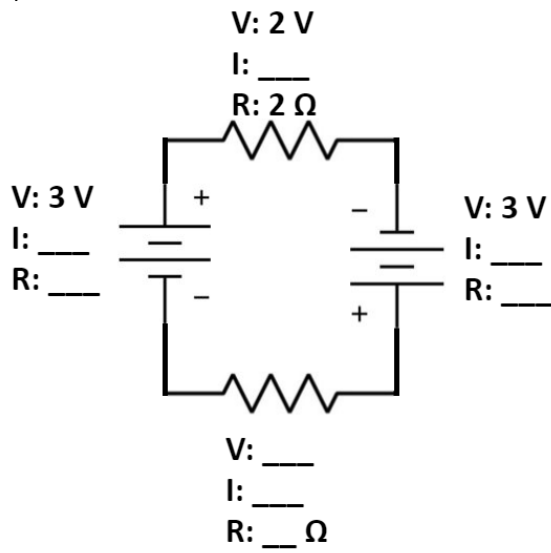
Period: \_\_\_\_\_

Date: \_\_\_\_\_

4)



5)



6)

